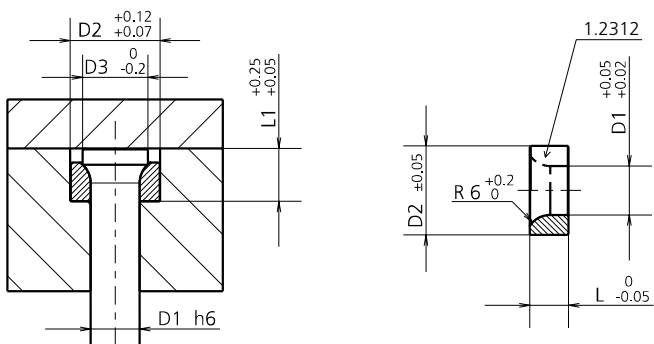


1062 - INSERTO A TESTA RINFORZATA

REINFORCED HEAD INSERT / HALTEINSÄTZE FÜR VERSTÄRKTEN KOPF / INSERT À TÊTE RENFORCÉE



| MODEL | D1 | D2 | D3 | L | L1 |
|-----------|----|------|----|-----|----|
| 1062.0050 | 5 | 12.8 | 8 | 8.5 | 11 |
| 1062.0060 | 6 | 12.8 | 9 | 8.5 | 11 |
| 1062.0070 | 7 | 14.8 | 10 | 8.5 | 11 |
| 1062.0080 | 8 | 14.8 | 11 | 8.5 | 11 |
| 1062.0090 | 9 | 17.8 | 13 | 9.5 | 12 |
| 1062.0100 | 10 | 17.8 | 14 | 9.5 | 12 |
| 1062.0110 | 11 | 17.8 | 15 | 9.5 | 13 |
| 1062.0120 | 12 | 21.8 | 16 | 9.5 | 13 |
| 1062.0130 | 13 | 21.8 | 17 | 9.5 | 13 |
| 1062.0140 | 14 | 21.8 | 18 | 9.5 | 13 |
| 1062.0150 | 15 | 24.8 | 19 | 9.5 | 13 |
| 1062.0160 | 16 | 24.8 | 20 | 9.5 | 13 |
| 1062.0170 | 17 | 24.8 | 21 | 9.5 | 13 |
| 1062.0180 | 18 | 27.8 | 22 | 9.5 | 13 |
| 1062.0190 | 19 | 27.8 | 23 | 9.5 | 13 |
| 1062.0200 | 20 | 27.8 | 24 | 9.5 | 13 |



MODELLO D'ORDINE / ORDER EXAMPLE / BESTELLBEISPIEL / MODÈLE DE COMMANDE

MODEL **1062** Ø DIAMETER PUNCH **0050**