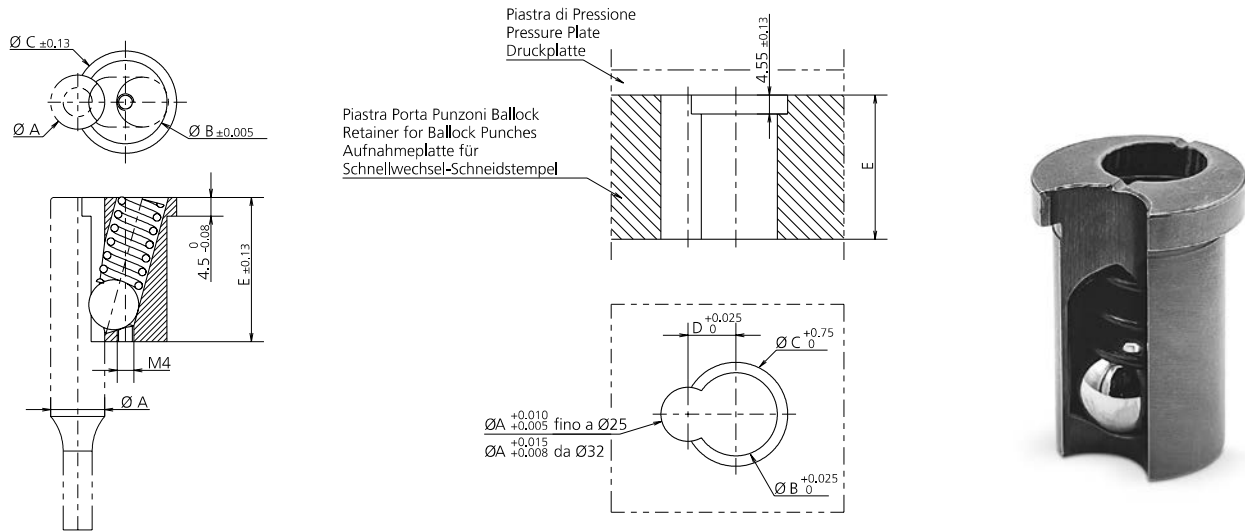


1055 - INSERTO DI FISSAGGIO PER BALLOCK HEAVY DUTY - METRIC

BALLOCK INSERTS FOR BALLOCK HEAVY DUTY - METRIC / BEFESTIGUNGSVORRICHTUNG FÜR BALLOCK HEAVY DUTY / METRIC INSERT DE FIXATION POUR BALLOCK HEAVY DUTY - METRIC



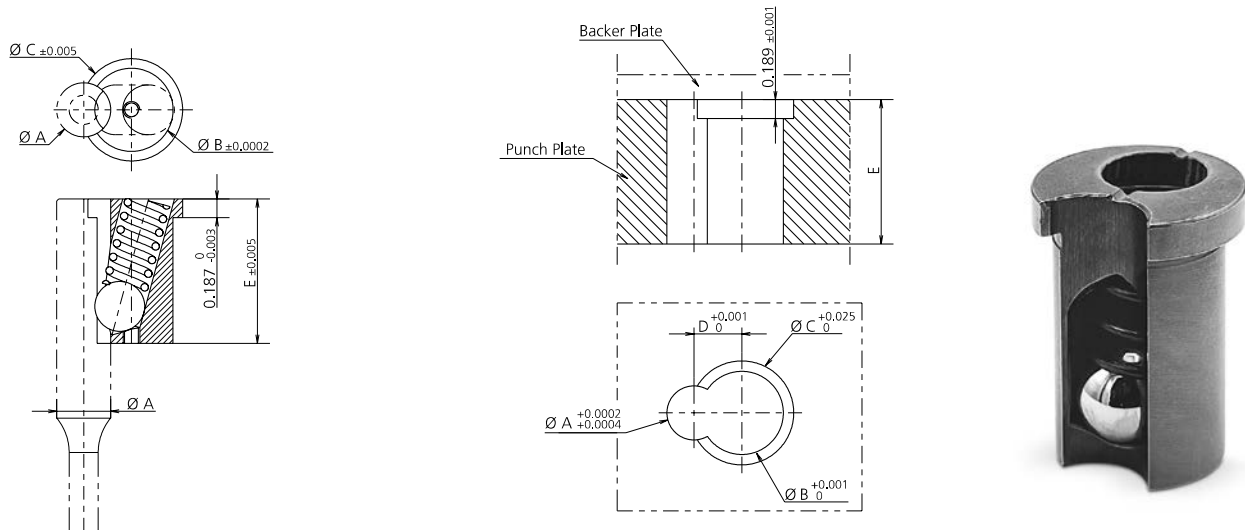
MODEL	Ø A	Ø B	Ø C	D	E
1055.0010	10	16	19.6	10	34.7
1055.0013	13	20	20.4	11.5	34.7
1055.0016	16	20	20.4	13	34.7
1055.0020	20	20	20.4	15	34.7
1055.0025	25	20	20.4	17.5	34.7
1055.0032	32	20	20.4	21	34.7
1055.0040	40	20	20.4	25	34.7

MODELLO D'ORDINE / ORDER EXAMPLE / BESTELLBEISPIEL / MODÈLE DE COMMANDE

MODEL **1055** Ø DIAMETER PUNCH **0010**

1057 - INSERTO DI FISSAGGIO PER BALLOCK HEAVY DUTY - INCH

BALLOCK INSERTS FOR BALLOCK HEAVY DUTY - INCH / BEFESTIGUNGSVORRICHTUNG FÜR BALLOCK HEAVY DUTY - INCH / INSERT DE FIXATION POUR BALLOCK HEAVY DUTY - INCH



MODEL	Ø A	Ø B	Ø C	D	E
1057.0037	0.375"	0.6255"	0.735"	0.375"	1.38"
1057.0050	0.5"	0.813"	0.98"	0.48"	1.38"
1057.0062	0.625"	0.813"	0.98"	0.543"	1.38"
1057.0075	0.75"	0.813"	0.98"	0.605"	1.38"
1057.0087	0.875"	0.813"	0.98"	0.668"	1.38"
1057.0100	1"	0.813"	0.98"	0.73"	1.38"
1057.0125	1.25"	0.813"	0.98"	0.855"	1.38"

MODELLO D'ORDINE / ORDER EXAMPLE / BESTELLBEISPIEL / MODÈLE DE COMMANDE

MODEL **1057** Ø DIAMETER PUNCH **0050 (0.5")**