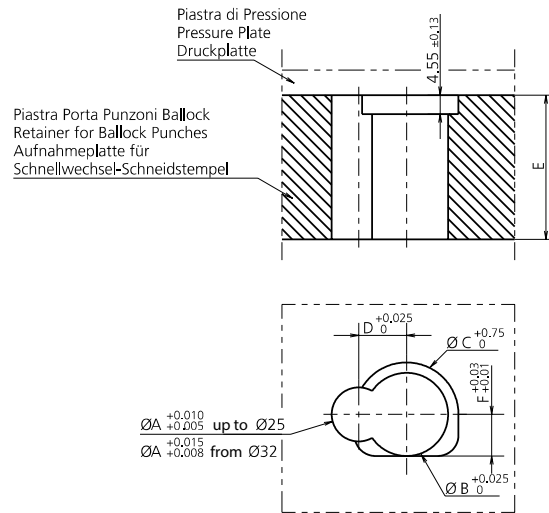
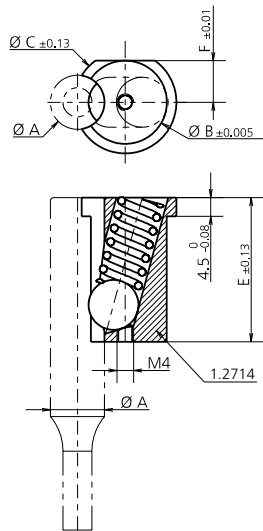




## 1051 - INSERTO DI FISSAGGIO PER BALLOCK HEAVY DUTY CON ANTIROTAZIONE - METRIC

BALLOCK INSERTS WITH ANTI-ROTATION SYSTEM FOR BALLOCK HEAVY DUTY - METRIC / BEFESTIGUNGSVORRICHTUNG MIT VERDREHSICHERUNG FÜR BALLOCK HEAVY DUTY - METRIC / INSERT DE FIXATION AVEC ANTI-ROTATION POUR BALLOCK HEAVY DUTY - METRIC



- APPROVED -



MODEL	Ø A	Ø B	Ø C	D	E	F
1051.0010	10	16	19.6	10	34.7	8
1051.0013	13	20	24.6	11.5	34.7	10
1051.0016	16	20	24.6	13	34.7	10
1051.0020	20	20	24.6	15	34.7	10
1051.0025	25	20	24.6	17.5	34.7	10
1051.0032	32	20	24.6	21	34.7	10
1051.0040	40	20	24.6	25	34.7	10

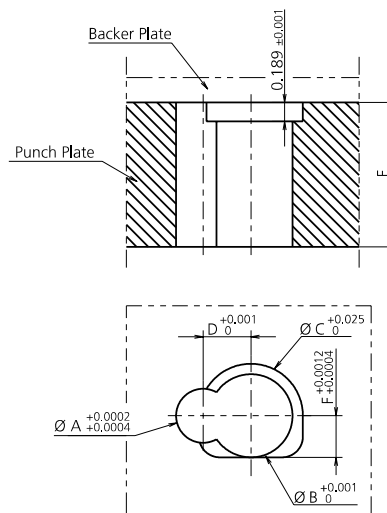
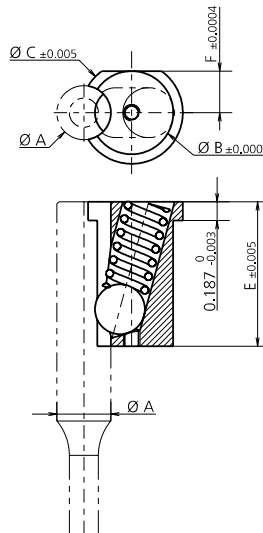
MODELLO D'ORDINE / ORDER EXAMPLE / BESTELLBEISPIEL / MODÈLE DE COMMANDE

MODEL 1051 Ø DIAMETER PUNCH 0010



## 1053 - INSERTO DI FISSAGGIO PER BALLOCK HEAVY DUTY CON ANTIROTAZIONE - INCH

BALLOCK INSERTS WITH ANTI-ROTATION SYSTEM FOR BALLOCK HEAVY DUTY - INCH / BEFESTIGUNGSVORRICHTUNG MIT VERDREHSICHERUNG FÜR BALLOCK HEAVY DUTY - INCH / INSERT DE FIXATION AVEC ANTI-ROTATION POUR BALLOCK HEAVY DUTY - INCH



MODEL	Ø A	Ø B	Ø C	D	E	F
1053.0037	0.375"	0.6255"	0.735"	0.375"	1.38"	0.3127"
1053.0050	0.5"	0.813"	0.98"	0.48"	1.38"	0.4065"
1053.0062	0.625"	0.813"	0.98"	0.543"	1.38"	0.4065"
1053.0075	0.75"	0.813"	0.98"	0.605"	1.38"	0.4065"
1053.0087	0.875"	0.813"	0.98"	0.668"	1.38"	0.4065"
1053.0100	1"	0.813"	0.98"	0.73"	1.38"	0.4065"
1053.0125	1.25"	0.813"	0.98"	0.855"	1.38"	0.4065"

MODELLO D'ORDINE / ORDER EXAMPLE / BESTELLBEISPIEL / MODÈLE DE COMMANDE

MODEL 1053 Ø DIAMETER PUNCH 0050 (0.5")