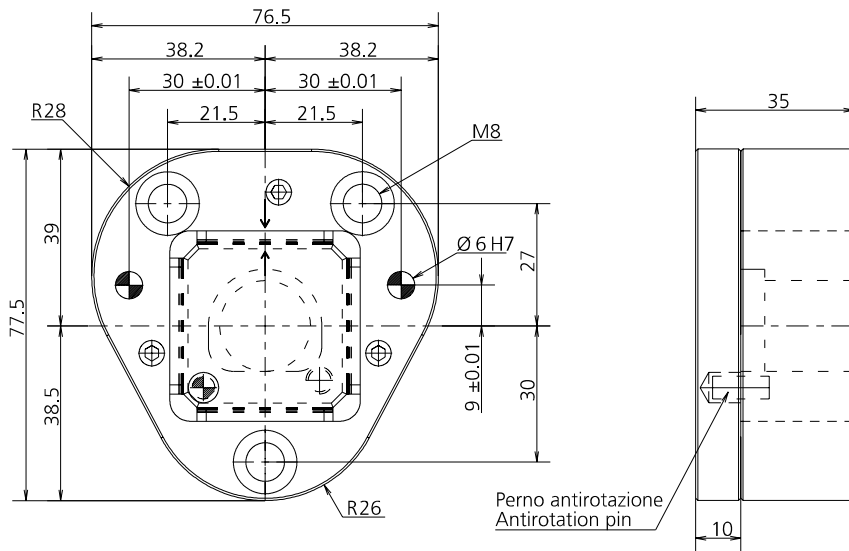


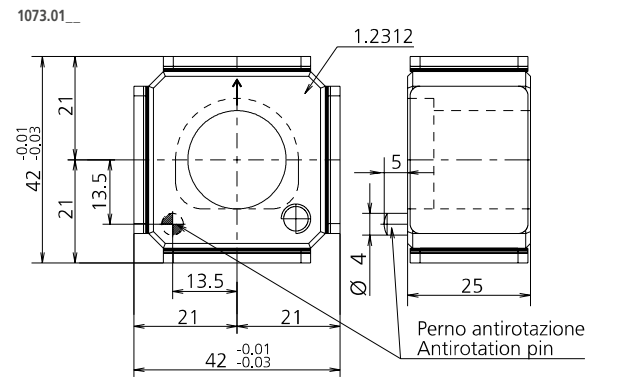
1013.0100 - PORTAPUNZONE REGOLABILE

ADJUSTABLE PUNCH HOLDER / VERSTELLBARE STEMPELHALTEPLATTEN / PORTE-POINÇON RÉGLABLE

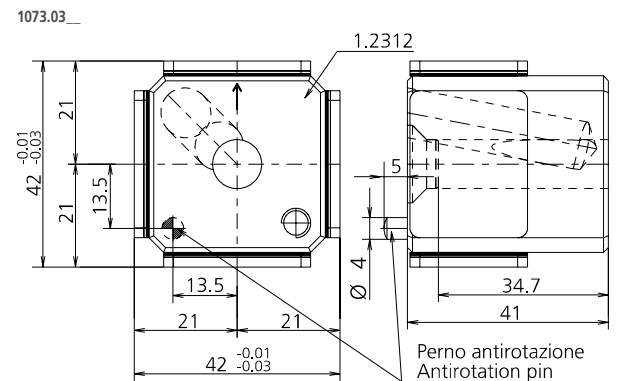


| CODE | DESCRIPTION |
|-----------|-------------------------|
| 1013.0100 | ADJUSTABLE PUNCH HOLDER |

| CODE | PUNCH | Q.TY |
|-----------|-------------|----------|
| 1073.0120 | ISO8020 Ø20 | 1*CHOOSE |
| 1073.0125 | ISO8020 Ø25 | 1*CHOOSE |



| CODE | PUNCH | Q.TY |
|-----------|------------------------|----------|
| 1073.0310 | BALLOCK HEAVY DUTY Ø10 | 1*CHOOSE |
| 1073.0313 | BALLOCK HEAVY DUTY Ø13 | 1*CHOOSE |



MODELLO D'ORDINE / ORDER EXAMPLE / BESTELLBEISPIEL / MODÈLE DE COMMANDE

MODEL **1013.0100** OPTION CODE **1073.0310**