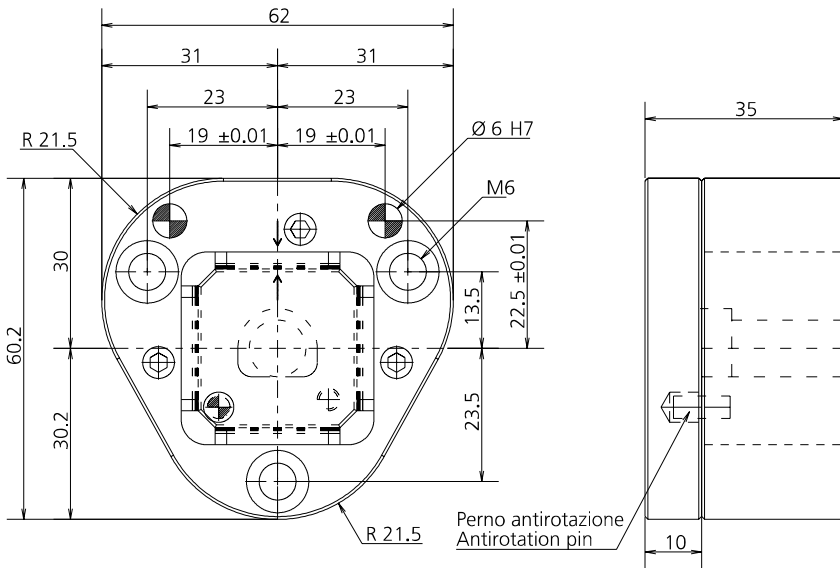




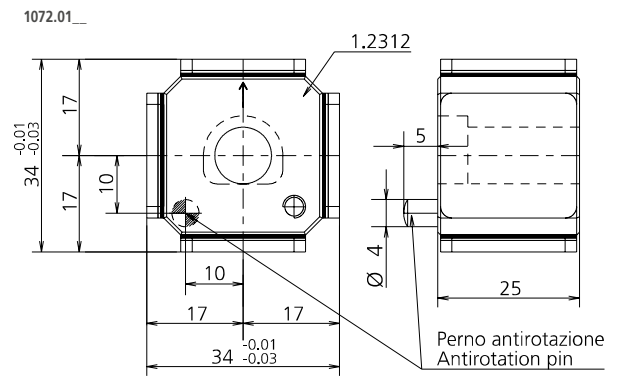
1012.0100 - PORTAPUNZONE REGOLABILE

ADJUSTABLE PUNCH HOLDER / VERSTELLBARE STEMPHALTEPLATTEN / PORTE-POINÇON RÉGLABLE



CODE	DESCRIPTION
1012.0100	ADJUSTABLE PUNCH HOLDER

CODE	PUNCH	Q.TY
1072.0110	ISO8020 Ø10	1*CHOOSE
1072.0113	ISO8020 Ø13	1*CHOOSE
1072.0116	ISO8020 Ø16	1*CHOOSE



MODELLO D'ORDINE / ORDER EXAMPLE / BESTELLBEISPIEL / MODÈLE DE COMMANDE

MODEL **1012.0100** OPTION CODE **1072.0110**