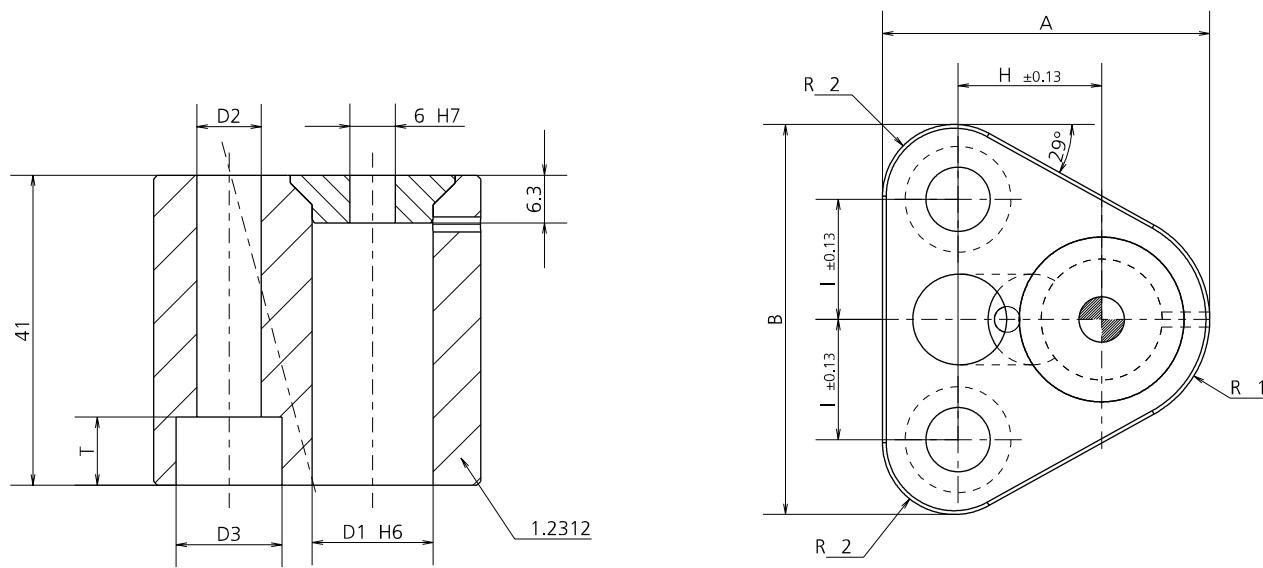


1047 - PORTA PUNZONE TRIANGOLARE COMPATTO PER BALLOCK HEAVY DUTY

COMPACT TRIANGULAR PUNCH HOLDER FOR BALLOCK HEAVY DUTY / KOMPAKTER DREIECKIGER LOCHSTEMPELTRÄGER BALLOCK HEAVY DUTY / PORTE-POINÇON TRIANGULAIRE COMPACT POUR BALLOCK HEAVY DUTY



Le viti e le spine di fissaggio sono comprese nella fornitura. / Fixing screws and pins are included in the delivery. / Befestigungsschrauben und stopfen sind im lieferumfang enthalten.
/ Les vis de fixation et les bouchons sont inclus dans la livraison.

MODEL	A	B	D1	D2	D3	H	I	T	R1	R2
1047.0010	38.5	40.6	10	9	14	19	11.1	9	9.5	9.5
1047.0013	41.7	47.9	13	9	14	19	14.3	9	12.7	9.5
1047.0016	43.3	51.6	16	9	14	19	15.9	9	14.3	9.5
1047.0020	47.5	57.9	20	11	17	19	17.5	11	17.5	11
1047.0025	59.2	68.8	25	13	20	23.8	19.8	13	22.2	16.5
1047.0032	59.2	68.8	32	13	20	23.8	19.8	13	22.2	16.5
1047.0040	69	76.5	40	13	20	27	24	13	26	22



MODELLO D'ORDINE / ORDER EXAMPLE / BESTELLBEISPIEL / MODÈLE DE COMMANDE

MODEL **1047**

DIAMETER PUNCH **0010**