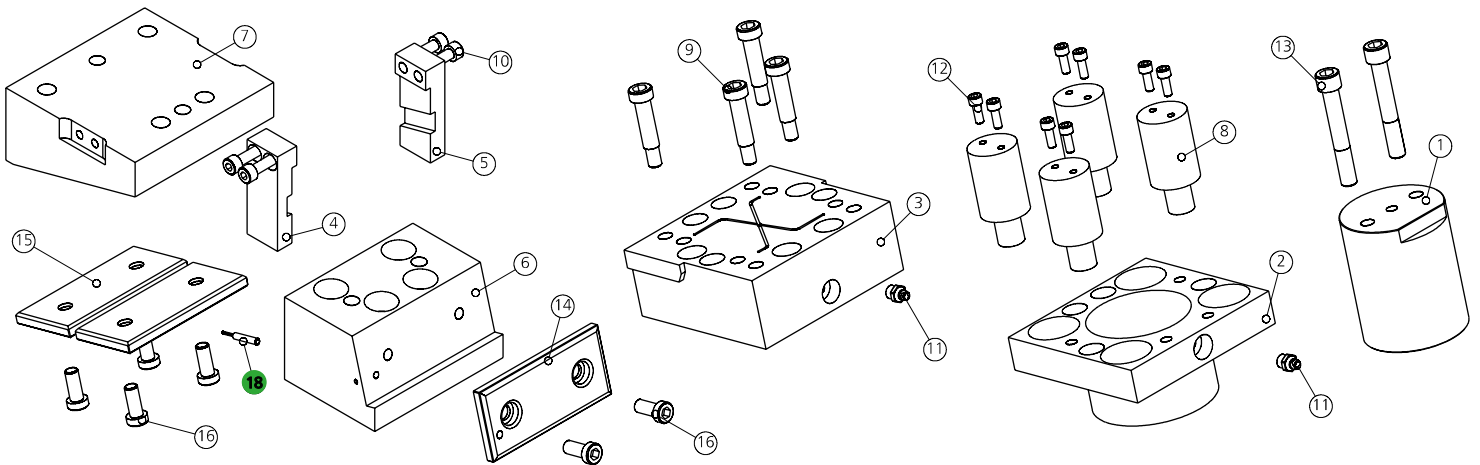


0151.2008 - CAM SUPER-SMEG2008

FORZA INIZIALE DI ESTRAZIONE / INITIAL EXTRACTION FORCE **2000 daN**
 RÜCKZUGSKRAFT / FORCE INITIALE D'EXTRACTION
 FORZA FINALE DI ESTRAZIONE / FINAL FORCE OF EXTRACTION **2700 daN**
 ENDKRAFT DER EXTRACTION / FORCE FINALE D'EXTRACTION

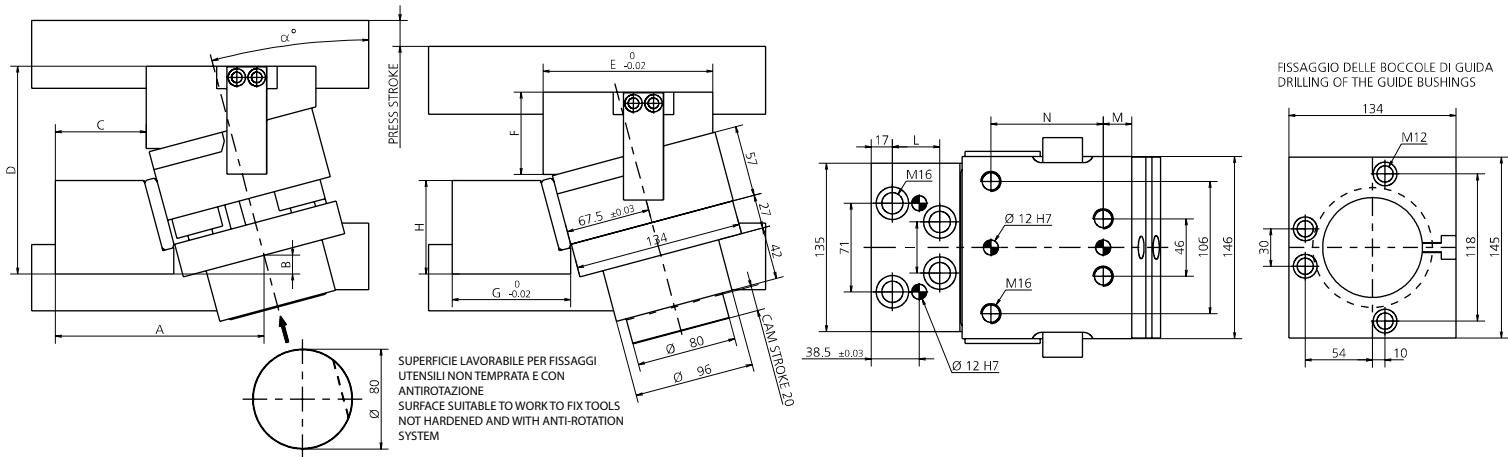
SFORZO MAX TRANCIO **20000 daN**
 CUTTING MAX FORCE
 MAXIMALE SCHNITTKRAFT
 EFFORT MAXI DÉCOUPE



POS.	CODE	DESCRIPTION	Q.TY
001	8018.1000.0000.800.001	PERNO CENTRALE / CENTRAL PIN / HAUPTSTIFT	1
002	8013.0690.0960.800.001	BOCCOLA DI GUIDA / GUIDE BUSHINGS / FÜHRUNGSBUCHSE	1
003	8014.0051.2008	PORTA PUNZONE / PUNCHES HOLDER / TRÄGERPLATTE	1
004	8115.4851.1808.05.001	STAFFA DI AGGANCIAMENTO / BRACKET ATTACHMENTS / BRACKETBEFESTIGUNG 5°	1*CHOOSE
004	8115.4851.1808.10.001	STAFFA DI AGGANCIAMENTO / BRACKET ATTACHMENTS / BRACKETBEFESTIGUNG 10°	1*CHOOSE
004	8115.4851.1808.15.001	STAFFA DI AGGANCIAMENTO / BRACKET ATTACHMENTS / BRACKETBEFESTIGUNG 15°	1*CHOOSE
004	8115.4851.1808.20.001	STAFFA DI AGGANCIAMENTO / BRACKET ATTACHMENTS / BRACKETBEFESTIGUNG 20°	1*CHOOSE
004	8115.4851.1808.25.001	STAFFA DI AGGANCIAMENTO / BRACKET ATTACHMENTS / BRACKETBEFESTIGUNG 25°	1*CHOOSE
004	8115.4851.1808.30.001	STAFFA DI AGGANCIAMENTO / BRACKET ATTACHMENTS / BRACKETBEFESTIGUNG 30°	1*CHOOSE
004	8115.4851.1808.35.001	STAFFA DI AGGANCIAMENTO / BRACKET ATTACHMENTS / BRACKETBEFESTIGUNG 35°	1*CHOOSE
004	8115.4851.1808.40.001	STAFFA DI AGGANCIAMENTO / BRACKET ATTACHMENTS / BRACKETBEFESTIGUNG 40°	1*CHOOSE
004	8115.4851.1808.45.001	STAFFA DI AGGANCIAMENTO / BRACKET ATTACHMENTS / BRACKETBEFESTIGUNG 45°	1*CHOOSE
004	8115.4851.1808.50.001	STAFFA DI AGGANCIAMENTO / BRACKET ATTACHMENTS / BRACKETBEFESTIGUNG 50°	1*CHOOSE
005	8115.4851.1808.05.002	STAFFA DI AGGANCIAMENTO / BRACKET ATTACHMENTS / BRACKETBEFESTIGUNG 5°	1*CHOOSE
005	8115.4851.1808.10.002	STAFFA DI AGGANCIAMENTO / BRACKET ATTACHMENTS / BRACKETBEFESTIGUNG 10°	1*CHOOSE
005	8115.4851.1808.15.002	STAFFA DI AGGANCIAMENTO / BRACKET ATTACHMENTS / BRACKETBEFESTIGUNG 15°	1*CHOOSE
005	8115.4851.1808.20.002	STAFFA DI AGGANCIAMENTO / BRACKET ATTACHMENTS / BRACKETBEFESTIGUNG 20°	1*CHOOSE
005	8115.4851.1808.25.002	STAFFA DI AGGANCIAMENTO / BRACKET ATTACHMENTS / BRACKETBEFESTIGUNG 25°	1*CHOOSE
005	8115.4851.1808.30.002	STAFFA DI AGGANCIAMENTO / BRACKET ATTACHMENTS / BRACKETBEFESTIGUNG 30°	1*CHOOSE
005	8115.4851.1808.35.002	STAFFA DI AGGANCIAMENTO / BRACKET ATTACHMENTS / BRACKETBEFESTIGUNG 35°	1*CHOOSE
005	8115.4851.1808.40.002	STAFFA DI AGGANCIAMENTO / BRACKET ATTACHMENTS / BRACKETBEFESTIGUNG 40°	1*CHOOSE
005	8115.4851.1808.45.002	STAFFA DI AGGANCIAMENTO / BRACKET ATTACHMENTS / BRACKETBEFESTIGUNG 45°	1*CHOOSE
005	8115.4851.1808.50.002	STAFFA DI AGGANCIAMENTO / BRACKET ATTACHMENTS / BRACKETBEFESTIGUNG 50°	1*CHOOSE

POS.	CODE	DESCRIPTION	Q.TY
006	8117.4851.1808.05.001	GUIDA / GUIDE / FÜHRUNG 5°	1*CHOOSE
006	8117.4851.1808.10.001	GUIDA / GUIDE / FÜHRUNG 10°	1*CHOOSE
006	8117.4851.1808.15.001	GUIDA / GUIDE / FÜHRUNG 15°	1*CHOOSE
006	8117.4851.1808.20.001	GUIDA / GUIDE / FÜHRUNG 20°	1*CHOOSE
006	8117.4851.1808.25.001	GUIDA / GUIDE / FÜHRUNG 25°	1*CHOOSE
006	8117.4851.1808.30.001	GUIDA / GUIDE / FÜHRUNG 30°	1*CHOOSE
006	8117.4851.1808.35.001	GUIDA / GUIDE / FÜHRUNG 35°	1*CHOOSE
006	8117.4851.1808.40.001	GUIDA / GUIDE / FÜHRUNG 40°	1*CHOOSE
006	8117.4851.1808.45.001	GUIDA / GUIDE / FÜHRUNG 45°	1*CHOOSE
006	8117.4851.1808.50.001	GUIDA / GUIDE / FÜHRUNG 50°	1*CHOOSE
007	8116.4851.1808.05.001	INCUDINE / ANVIL / TREIBER 5°	1*CHOOSE
007	8116.4851.1808.10.001	INCUDINE / ANVIL / TREIBER 10°	1*CHOOSE
007	8116.4851.1808.15.001	INCUDINE / ANVIL / TREIBER 15°	1*CHOOSE
007	8116.4851.1808.20.001	INCUDINE / ANVIL / TREIBER 20°	1*CHOOSE
007	8116.4851.1808.25.001	INCUDINE / ANVIL / TREIBER 25°	1*CHOOSE
007	8116.4851.1808.30.001	INCUDINE / ANVIL / TREIBER 30°	1*CHOOSE
007	8116.4851.1808.35.001	INCUDINE / ANVIL / TREIBER 35°	1*CHOOSE
007	8116.4851.1808.40.001	INCUDINE / ANVIL / TREIBER 40°	1*CHOOSE
007	8116.4851.1808.45.001	INCUDINE / ANVIL / TREIBER 45°	1*CHOOSE
007	8116.4851.1808.50.001	INCUDINE / ANVIL / TREIBER 50°	1*CHOOSE
008	9000.0025.0038.001	CILINDRO AD AZOTO / NITROGEN CYLINDER / STICKSTOFFZYLINDER	4
009	9008.1012.040	VITE A COLLETTA / SHOULDER SCREW / ANSATZSCHRAUBE	4
010	9007.08.030.129.1.4762	VITE / SCREW / SCHRAUBE M8X30	4
011	9006.002	INGRASSATORE / NIPPLES / SCHMIERUNG	2
012	9007.06.016.129.1.4762	VITE / SCREW / SCHRAUBE M6X16	8
013	9007.12.055.129.1.4762	VITE / SCREW / SCHRAUBE M12X55	2
014	8012.1250.0580.100.003	PIASTRA DI SCORRIMENTO / WEAR PLATE / DRUCKPLATTE	1
015	9012.1250.0580.100.001	PIASTRA DI SCORRIMENTO / WEAR PLATE / DRUCKPLATTE	2
016	9007.10.020.129.1.9327	VITE / SCREW / SCHRAUBE M10X20	6
018	9003.0001	SENSORE DI SICUREZZA / SECURITY SENSOR / SENSOR FÜR SICHERHEIT	1*OPTION

FORZA INIZIALE DI ESTRAZIONE / INITIAL EXTRACTION FORCE **2000 daN** SFORZO MAX TRANCIO **20000 daN**
 RÜCKZUGSKRAFT / FORCE INITIALE D'EXTRACTION
 FORZA FINALE DI ESTRAZIONE / FINAL FORCE OF EXTRACTION **2700 daN** CUTTING MAX FORCE
 ENDKRAFT DER EXTRAKTION / FORCE FINALE D'EXTRACTION EFFORT MAXI DÉCOUPE



α°	PRESS STROKE	A	B	C	D	E	F	G	H	I	L	M	N
5°	20.1	165.85	74.9	87	155.1	136	56	95	75	41	43	23	90
10°	20.3	166.85	66.9	80	156.35	136	56	95	75	41	43	23	90
15°	20.7	167.35	59.9	73	166.65	136	51	95	75	41	38	23	90
20°	21.3	178.35	50.9	80.5	168.2	125	76	105	65	41	43	17.5	90
25°	22.05	177.35	43.9	71.5	166.95	125	76	105	65	41	38	17.5	90
30°	23.1	186.35	36.9	72.5	180.5	125	90	115	65	41	43	17.5	90
35°	24.4	185.35	26.9	71	189.9	116	96	115	65	41	43	23	70
40°	26.1	182.35	19.9	64.5	200.55	115	106	115	65	41	38	22.5	70
45°	28.3	180.35	8.9	59.5	211.7	105	116	115	65	37	35	17.5	70
50°	31.1	176.35	-1.1	48.5	215.55	105	125	115	56	37	35	17.5	70

* PER INCLINAZIONI FUORI STANDARD RIVOLGERSI ALL'UFFICIO TECNICO NEWSTARK / * FOR NON-STANDARD INCLINATIONS, PLEASE CONTACT NEWSTARK TECHNICAL OFFICE.
 / * FÜR NICHT STANDARDMÄSSIGE NEIGUNGEN WENDEN SIE SICH BITTE AN DAS TECHNISCHE BÜRO VON NEWSTARK

018 (9003) SENSORE / SENSOR / SENSOR



18 PATENT PENDING