

0142.0850 - CAM MA850

FORZA INIZIALE DI ESTRAZIONE / INITIAL EXTRACTION FORCE **850 daN**

RÜCKZUGSKRAFT / FORCE INITIALE D'EXTRACTION

FORZA FINALE DI ESTRAZIONE / FINAL FORCE OF EXTRACTION **1360 daN**

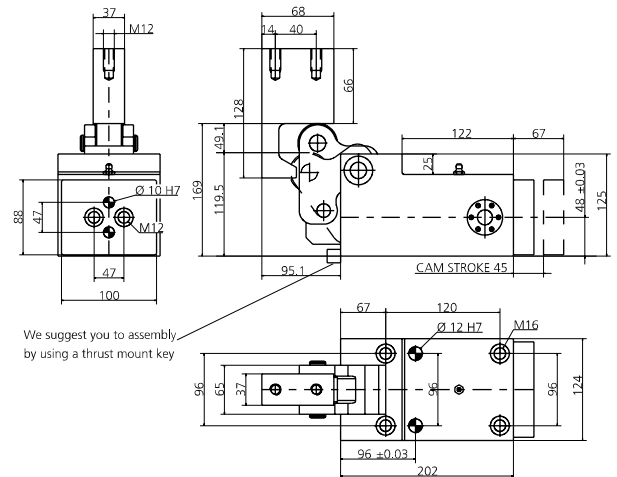
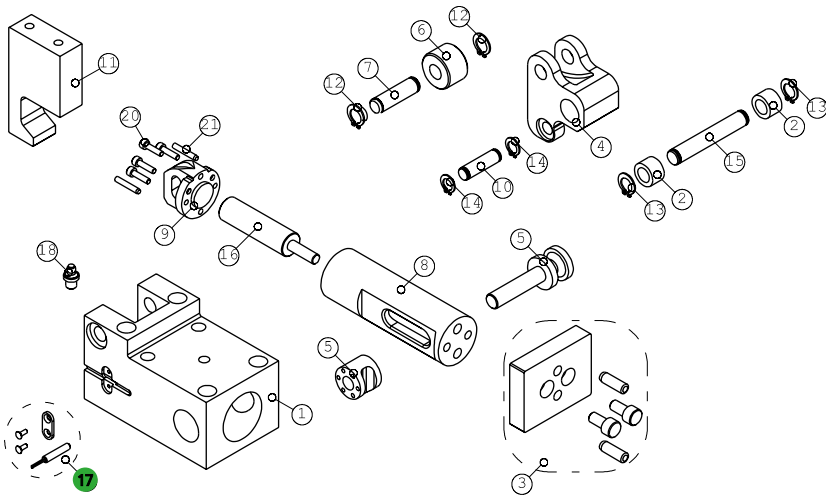
ENDKRAFT DER EXTRACTION / FORCE FINALE D'EXTRACTION

SFORZO MAX TRANCIO **10000 daN**

CUTTING MAX FORCE

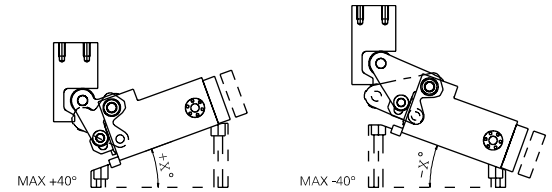
MAXIMALE SCHNITTKRAFT

EFFORT MAXI DÉCOUPE



POS.	CODE	DESCRIPTION	Q.TY
001	8000.0042.0850	CORPO CAMMA / CAM BODY / GRUNDGEHÄUSE	1
002	9005.0120.0025.001	CUSCINETTO / BEARING / LAGER	2
003	8014.4244.0850	KIT PORTA PUNZONE / KIT PUNCH HOLDER / KIT TRÄGERPLATTE	1*OPTION
004	8001.0042.0850.000	LEVA / LEVER / NOCKE 0	1
004	8001.0042.0850.610	LEVA / LEVER / NOCKE +0.01 +10	1*OPTION
004	8001.0042.0850.620	LEVA / LEVER / NOCKE +10.01 +20	1*OPTION
004	8001.0042.0850.630	LEVA / LEVER / NOCKE +20.01 +30	1*OPTION
004	8001.0042.0850.640	LEVA / LEVER / NOCKE +30.01 +40	1*OPTION
004	8001.0042.0850.710	LEVA / LEVER / NOCKE -0.01 -10	1*OPTION
004	8001.0042.0850.720	LEVA / LEVER / NOCKE -10.01 -20	1*OPTION
004	8001.0042.0850.730	LEVA / LEVER / NOCKE -20.01 -30	1*OPTION
004	8001.0042.0850.740	LEVA / LEVER / NOCKE -30.01 -40	1*OPTION
005	8017.4244.0850	PERNO DI GUIDA / GUIDE PIN / FÜHRUNGSSTIFTE	1
006	8004.0450.0330.220.001	ROTELLA / ROLLER / ROLLE	1
007	8005.0734.0674.220.001	PERNO / PIN / STIFT	1
008	8018.1845.1575.700.001	PERNO CENTRALE / CENTRAL PIN / HAUPTSTIFT	1
009	8002.0042.0850	FLANGIA / FLANGE / FLANSCH	1
010	8005.0644.0584.220.001	PERNO / PIN / STIFT	1
011	8003.1280.0680.370.001	INCUDINE / ANVIL / TREIBER	1*OPTION
012	9004.1220.001	SEEGER / SEEGER / SEEGERRING	2
013	9004.1250.001	SEEGER / SEEGER / SEEGERRING	2
014	9004.1220.001	SEEGER / SEEGER / SEEGERRING	2
015	8005.1234.1174.250.001	PERNO / PIN / STIFT	1
016	9000.0050.0045.001	CILINDRO AD AZOTO / NITROGEN CYLINDER / STICKSTOFFZYLINDER	1
017	8107.0142.0850.001	KIT SENSORE DI SICUREZZA / SECURITY SENSOR KIT / KIT SENSOR FÜR SICHERHEIT	1*OPTION
018	9006.003	INGRASSATORE / NIPPLE / SCHMIERUNG	1
020	9007.06.025.129.1.4762	VITE / SCREW / SCHRAUBE M6X25	6
021	9028.060.025.8735	SPINA CILINDRICA / DOWEL PIN / ZYLINDERSTIFT D6X25	2

004 (8001) LEVA / LEVER / NOCKE



017 (8107) SENSORE / SENSOR / SENSOR



17 PATENT PENDING

MODELLO D'ORDINE / ORDER EXAMPLE / BESTELLBEISPIEL / MODÈLE DE COMMANDE

MODEL **0142.0850** INCLINATION **+10°** OPTION CODE **8001.0042.0850.610**