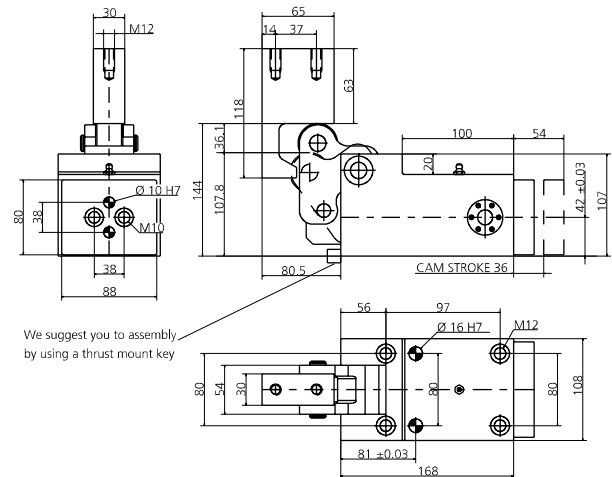
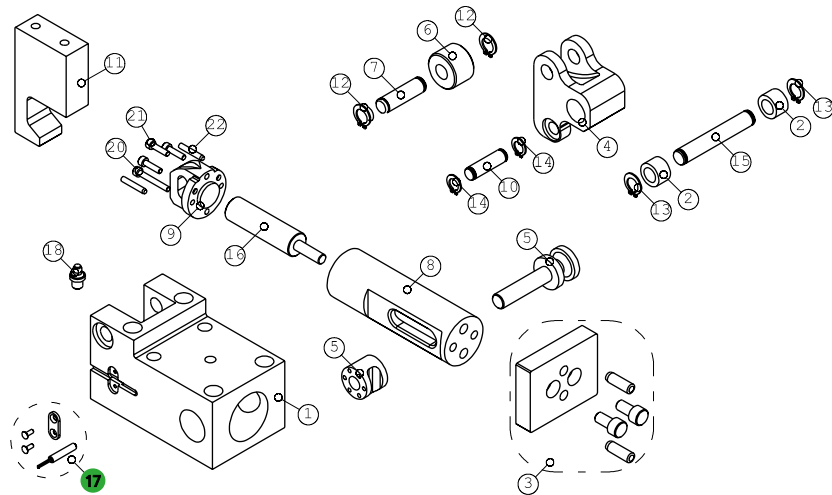


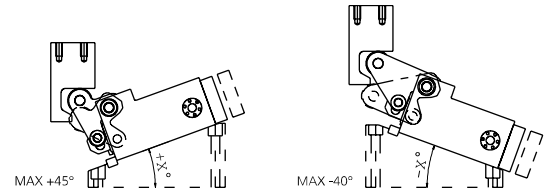
# 0142.0600 - CAM MA600

FORZA INIZIALE DI ESTRAZIONE / INITIAL EXTRACTION FORCE **600 daN** SFORZO MAX TRANCIO **7000 daN**  
 RÜCKZUGSKRAFT / FORCE INITIALE D'EXTRACTION  
 FORZA FINALE DI ESTRAZIONE / FINAL FORCE OF EXTRACTION **880 daN** CUTTING MAX FORCE  
 ENDKRAFT DER EXTRACTION / FORCE FINALE D'EXTRACTION MAXIMALE SCHNITTKRAFT  
 EFFORT MAXI DÉCOUPE



POS.	CODE	DESCRIPTION	Q.TY
001	<b>8000.0042.0600</b>	CORPO CAMMA / CAM BODY / GRUNDGEHÄUSE	1
002	<b>9005.0116.0020.001</b>	CUSCINETTO / BEARING / LAGER	2
003	<b>8014.4244.0600</b>	KIT PORTA PUNZONE / KIT PUNCH HOLDER / KIT TRÄGERPLATTE	1*OPTION
004	<b>8001.0042.0600.000</b>	LEVA / LEVER / NOCKE 0	1
004	<b>8001.0042.0600.615</b>	LEVA / LEVER / NOCKE +0.01 +15	1*OPTION
004	<b>8001.0042.0600.630</b>	LEVA / LEVER / NOCKE +15.01 +30	1*OPTION
004	<b>8001.0042.0600.645</b>	LEVA / LEVER / NOCKE +30.01 +45	1*OPTION
004	<b>8001.0042.0600.715</b>	LEVA / LEVER / NOCKE -0.01 -15	1*OPTION
004	<b>8001.0042.0600.730</b>	LEVA / LEVER / NOCKE -15.01 -30	1*OPTION
004	<b>8001.0042.0600.740</b>	LEVA / LEVER / NOCKE -30.01 -40	1*OPTION
005	<b>8017.4244.0600</b>	PERNO DI GUIDA / GUIDE PIN / FÜHRUNGSTIFTE	1
006	<b>8004.0370.0280.200.001</b>	ROTELLA / ROLLER / ROLLE	1
007	<b>8005.0610.0540.200.001</b>	PERNO / PIN / STIFT	1
008	<b>8018.1500.1275.600.001</b>	PERNO CENTRALE / CENTRAL PIN / HAUPTSTIFT	1
009	<b>8002.0042.0600</b>	FLANGIA / FLANGE / FLANSCH	1
010	<b>8005.0530.0460.200.001</b>	PERNO / PIN / STIFT	1
011	<b>8003.1180.0650.300.001</b>	INCUDINE / ANVIL / TREIBER	1*OPTION
012	<b>9004.1200.001</b>	SEEGER / SEEGER / SEEGERRING	2
013	<b>9004.1200.001</b>	SEEGER / SEEGER / SEEGERRING	2
014	<b>9004.1200.001</b>	SEEGER / SEEGER / SEEGERRING	2
015	<b>8005.1070.1000.200.001</b>	PERNO / PIN / STIFT	1
016	<b>9000.0038.0038.001</b>	CILINDRO AD AZOTO / NITROGEN CYLINDER / STICKSTOFFZYLINDER	1
017	<b>8107.0142.0600.001</b>	KIT SENSORE DI SICUREZZA / SECURITY SENSOR KIT / KIT SENSOR FÜR SICHERHEIT	1*OPTION
018	<b>9006.003</b>	INGRASSATORE / NIPPLE / SCHMIERUNG	1
020	<b>9007.06.055.129.1.4762</b>	VITE / SCREW / SCHRAUBE M6X55	1
021	<b>9007.06.025.129.1.4762</b>	VITE / SCREW / SCHRAUBE M6X25	5
022	<b>9028.060.025.8735</b>	SPINA CILINDRICA / DOWEL PIN / ZYLINDERSTIFT D6X25	2

004 (8001) LEVA / LEVER / NOCKE



017 (8107) SENSORE / SENSOR / SENSOR



**17** PATENT PENDING

MODELLO D'ORDINE / ORDER EXAMPLE / BESTELLBEISPIEL / MODÈLE DE COMMANDE

MODEL **0142.0600** INCLINAZIONE **+10°** OPTION CODE **8001.0042.0600.615**