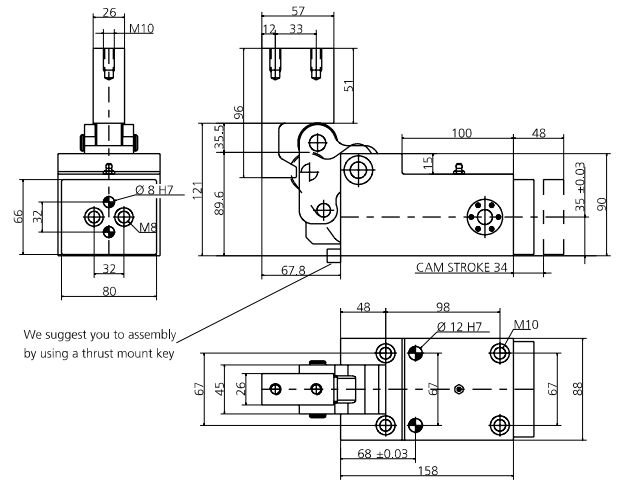
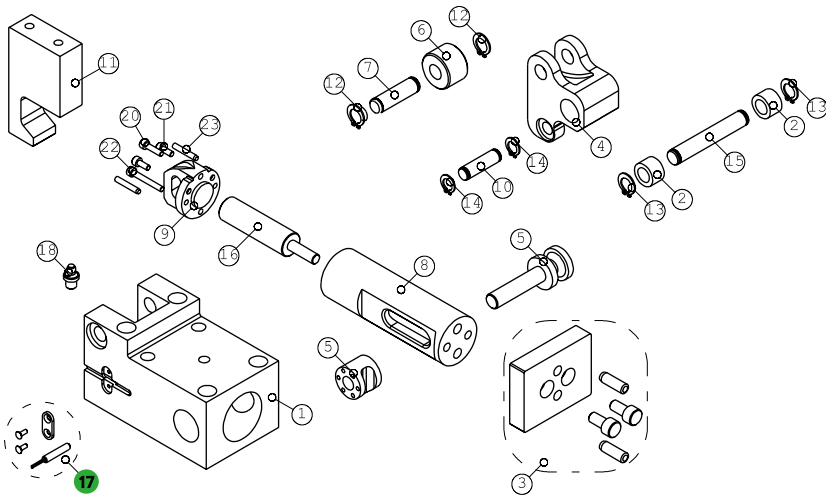


# 0142.0240 - CAM MA240

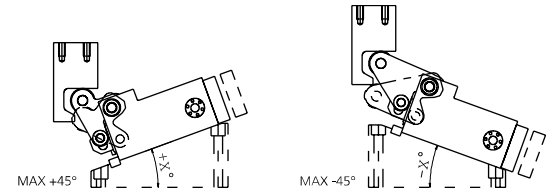
FORZA INIZIALE DI ESTRAZIONE / INITIAL EXTRACTION FORCE **240 daN**  
 RÜCKZUGSKRAFT / FORCE INITIALE D'EXTRACTION  
 FORZA FINALE DI ESTRAZIONE / FINAL FORCE OF EXTRACTION **270 daN**  
 ENDKRAFT DER EXTRACTION / FORCE FINALE D'EXTRACTION

SFORZO MAX TRANCIO **5000 daN**  
 CUTTING MAX FORCE  
 MAXIMALE SCHNITTKRAFT  
 EFFORT MAXI DÉCOUPE



POS.	CODE	DESCRIPTION	Q.TY
001	<b>8000.0042.0240</b>	CORPO CAMMA / CAM BODY / GRUNDGEHÄUSE	1
002	<b>9005.0112.0015.001</b>	CUSCINETTO / BEARING / LAGER	2
003	<b>8014.4244.0240</b>	KIT PORTA PUNZONE / KIT PUNCH HOLDER / KIT TRÄGERPLATTE	1*OPTION
004	<b>8001.0042.0240.000</b>	LEVA / LEVER / NOCKE 0	1
004	<b>8001.0042.0240.610</b>	LEVA / LEVER / NOCKE +0.01 +10	1*OPTION
004	<b>8001.0042.0240.630</b>	LEVA / LEVER / NOCKE +10.01 +30	1*OPTION
004	<b>8001.0042.0240.645</b>	LEVA / LEVER / NOCKE +30.01 +45	1*OPTION
004	<b>8001.0042.0240.715</b>	LEVA / LEVER / NOCKE -0.01 -15	1*OPTION
004	<b>8001.0042.0240.730</b>	LEVA / LEVER / NOCKE -15.01 -30	1*OPTION
004	<b>8001.0042.0240.745</b>	LEVA / LEVER / NOCKE -30.01 -45	1*OPTION
005	<b>8017.4244.0240</b>	PERNO DI GUIDA / GUIDE PIN / FÜHRUNGSSTIFTE	1
006	<b>8004.0290.0240.120.001</b>	ROTELLA / ROLLER / ROLLE	1
007	<b>8005.0510.0470.120.001</b>	PERNO / PIN / STIFT	1
008	<b>8018.1524.1344.500.001</b>	PERNO CENTRALE / CENTRAL PIN / HAUPTSTIFT	1
009	<b>8002.0042.0240</b>	FLANGIA / FLANGE / FLANSCH	1
010	<b>8005.0446.0406.120.001</b>	PERNO / PIN / STIFT	1
011	<b>8003.0960.0570.260.001</b>	INCLUDINE / ANVIL / TREIBER	1*OPTION
012	<b>9004.1120.001</b>	SEEGER / SEEGER / SEEGERRING	2
013	<b>9004.1150.001</b>	SEEGER / SEEGER / SEEGERRING	2
014	<b>9004.1120.001</b>	SEEGER / SEEGER / SEEGERRING	2
015	<b>8005.0870.0830.150.001</b>	PERNO / PIN / STIFT	1
016	<b>9000.0038.0025.001</b>	CILINDRO AD AZOTO / NITROGEN CYLINDER / STICKSTOFFZYLINDER	1
017	<b>8107.0142.0240.001</b>	KIT SENSORE DI SICUREZZA / SECURITY SENSOR KIT / KIT SENSOR FÜR SICHERHEIT	1*OPTION
018	<b>9006.002</b>	INGRASSATORE / NIPPLE / SCHMIERUNG	1
020	<b>9007.05.016.129.1.4762</b>	VITE / SCREW / SCHRAUBE M5X16	1
021	<b>9007.05.010.129.1.4762</b>	VITE / SCREW / SCHRAUBE M5X10	2
022	<b>9007.05.035.129.1.4762</b>	VITE / SCREW / SCHRAUBE M5X35	1
023	<b>9028.050.012.8735</b>	SPINA CILINDRICA / DOWEL PIN / ZYLINDERSTIFT D5X12	2

004 (8001) LEVA / LEVER / NOCKE



017 (8107) SENSORE / SENSOR / SENSOR



**17** PATENT PENDING

MODELLO D'ORDINE / ORDER EXAMPLE / BESTELLBEISPIEL / MODÈLE DE COMMANDE

MODEL **0142.0240** INCLINATION **+10°** OPTION CODE **8001.0042.0240.610**