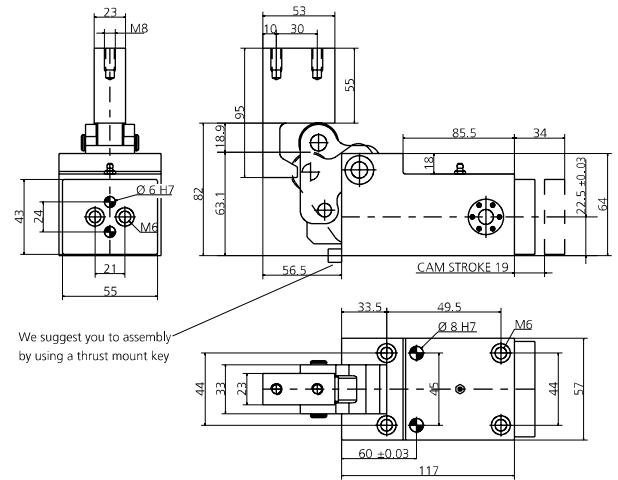
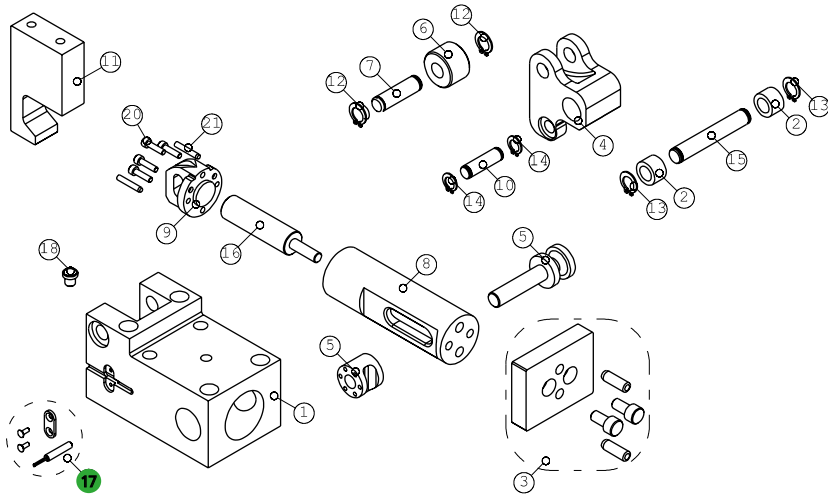


# 0142.0100 - CAM MA100

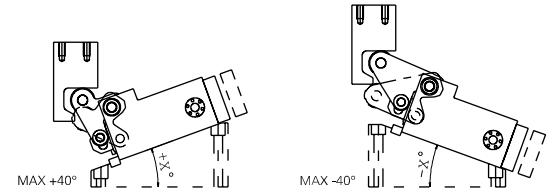
FORZA INIZIALE DI ESTRAZIONE / INITIAL EXTRACTION FORCE **100 daN**  
 RÜCKZUGSKRAFT / FORCE INITIALE D'EXTRACTION  
 FORZA FINALE DI ESTRAZIONE / FINAL FORCE OF EXTRACTION **135 daN**  
 ENDKRAFT DER EXTRACTION / FORCE FINALE D'EXTRACTION

SFORZO MAX TRANCIO **2500 daN**  
 CUTTING MAX FORCE  
 MAXIMALE SCHNITTKRAFT  
 EFFORT MAXI DÉCOUPE



POS.	CODE	DESCRIPTION	Q.TY
001	<b>8000.0042.0100</b>	CORPO CAMMA / CAM BODY / GRUNDGEHÄUSE	1
002	<b>9005.0112.0010.001</b>	CUSCINETTO / BEARING / LAGER	2
003	<b>8014.4244.0100</b>	KIT PORTA PUNZONE / KIT PUNCH HOLDER / KIT TRÄGERPLATTE	1*OPTION
004	<b>8001.0042.0100.000</b>	LEVA / LEVER / NOCKE 0	1
004	<b>8001.0042.0100.620</b>	LEVA / LEVER / NOCKE +0.01 +20	1*OPTION
004	<b>8001.0042.0100.640</b>	LEVA / LEVER / NOCKE +20.01 +40	1*OPTION
004	<b>8001.0042.0100.720</b>	LEVA / LEVER / NOCKE -0.01 -20	1*OPTION
004	<b>8001.0042.0100.740</b>	LEVA / LEVER / NOCKE -20.01 -40	1*OPTION
005	<b>8017.4244.0100</b>	PERNO DI GUIDA / GUIDE PIN / FÜHRUNGSSTIFTE	1
006	<b>8004.0260.0170.100.001</b>	ROTELLA / ROLLER / ROLLE	1
007	<b>8005.0376.0350.100.001</b>	PERNO / PIN / STIFT	1
008	<b>8018.1120.0905.350.001</b>	PERNO CENTRALE / CENTRAL PIN / HAUPTSTIFT	1
009	<b>8002.0042.0100</b>	FLANGIA / FLANGE / FLANSCH	1
010	<b>8005.0326.0300.100.001</b>	PERNO / PIN / STIFT	1
011	<b>8003.0950.0530.230.001</b>	INCLUDINE / ANVIL / TREIBER	1*OPTION
012	<b>9004.1100.001</b>	SEEGER / SEEGER / SEEGERRING	2
013	<b>9004.1100.001</b>	SEEGER / SEEGER / SEEGERRING	2
014	<b>9004.1100.001</b>	SEEGER / SEEGER / SEEGERRING	2
015	<b>8005.0546.0520.100.001</b>	PERNO / PIN / STIFT	1
016	<b>9000.0020.0015.001</b>	CILINDRO AD AZOTO / NITROGEN CYLINDER / STICKSTOFFZYLINDER	1
017	<b>8107.0142.0100.001</b>	KIT SENSORE DI SICUREZZA / SECURITY SENSOR KIT / KIT SENSOR FÜR SICHERHEIT	1*OPTION
018	<b>9006.004</b>	INGRASSATORE / NIPPLES / SCHMIERUNG	1
020	<b>9007.04.010.129.1.4762</b>	VITE / SCREW / SCHRAUBE M4X10	4
021	<b>9028.040.010.8735</b>	SPINA CILINDRICA / DOWEL PIN / ZYLINDERSTIFT D4X10	2

004 (8001) LEVA / LEVER / NOCKE



017 (8107) SENSORE / SENSOR / SENSOR



**17** PATENT PENDING

MODELLO D'ORDINE / ORDER EXAMPLE / BESTELLBEISPIEL / MODÈLE DE COMMANDE

MODEL **0142.0100** INCLINAZIONE **+10°** OPTION CODE **8001.0042.0100.620**