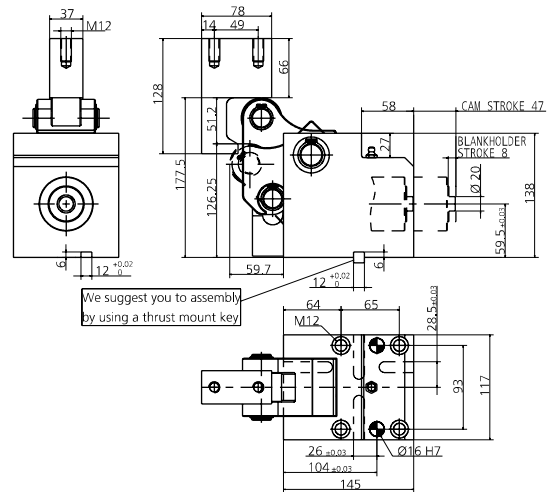
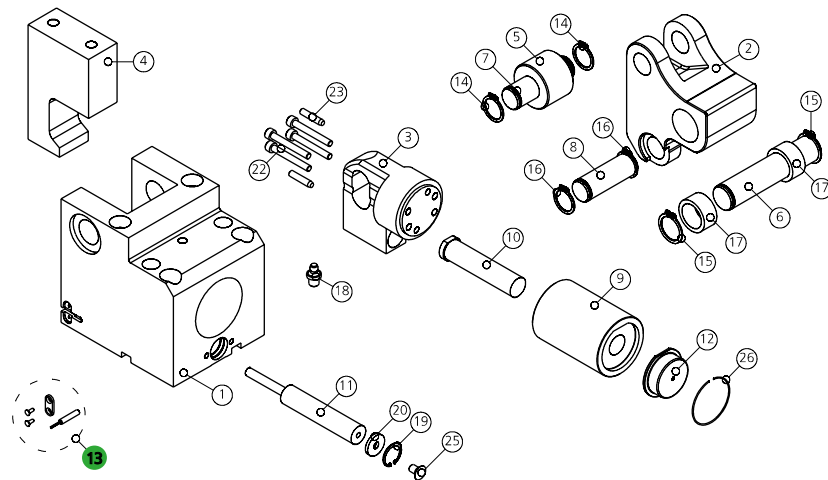


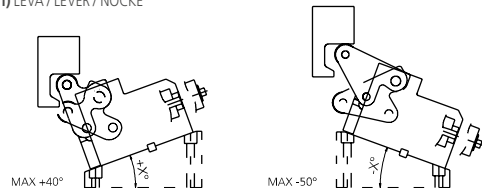
FORZA INIZIALE DI ESTRAZIONE / INITIAL EXTRACTION FORCE 1160 daN
 RÜCKZUGSKRAFT / FORCE INITIALE D'EXTRACTION
 FORZA FINALE DI ESTRAZIONE / FINAL FORCE OF EXTRACTION 2550 daN
 ENDKRAFT DER EXTRAKTION / FORCE FINALE D'EXTRACTION

SPORZO MAX TRANCIO 9000 daN
 CUTTING MAX FORCE
 MAXIMALE SCHNITTKRAFT
 EFFORT MAXI DÉCOUPE

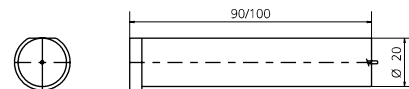


| POS. | CODE | DESCRIPTION | Q.TY |
|------|------------------------|--|----------|
| 001 | 8000.0043.1160 | CORPO CAMMA / CAM BODY / GRUNDGEHÄUSE | 1 |
| 002 | 8001.0043.1160.000 | LEVA / LEVER / NOCKE 0 | 1 |
| 002 | 8001.0043.1160.610 | LEVA / LEVER / NOCKE +0.01 +10 | 1*OPTION |
| 002 | 8001.0043.1160.620 | LEVA / LEVER / NOCKE +10.01 +20 | 1*OPTION |
| 002 | 8001.0043.1160.630 | LEVA / LEVER / NOCKE +20.01 +30 | 1*OPTION |
| 002 | 8001.0043.1160.640 | LEVA / LEVER / NOCKE +30.01 +40 | 1*OPTION |
| 002 | 8001.0043.1160.710 | LEVA / LEVER / NOCKE -0.01 -10 | 1*OPTION |
| 002 | 8001.0043.1160.720 | LEVA / LEVER / NOCKE -10.01 -20 | 1*OPTION |
| 002 | 8001.0043.1160.730 | LEVA / LEVER / NOCKE -20.01 -30 | 1*OPTION |
| 002 | 8001.0043.1160.740 | LEVA / LEVER / NOCKE -30.01 -40 | 1*OPTION |
| 002 | 8001.0043.1160.750 | LEVA / LEVER / NOCKE -40.01 -50 | 1*OPTION |
| 003 | 8002.0043.1160 | FLANGIA / FLANGE / FLANSCH | 1 |
| 004 | 8003.1280.0780.370.001 | INCUDINE / ANVIL / DRUCKSTÜCK | 1*OPTION |
| 005 | 8004.0450.0330.220.001 | ROTELLA / ROLLER / ROLLE | 1 |
| 006 | 8005.1164.1078.250.001 | PERNO / PIN / STIFT | 1 |
| 007 | 8005.0734.0648.220.001 | PERNO / PIN / STIFT | 1 |
| 008 | 8005.0644.0558.220.001 | PERNO / PIN / STIFT | 1 |
| 009 | 9030.020.001 | CILINDRO SPECIALE / SPECIAL CYLINDER / SPEZIALZYLINDER | 1 |
| 010 | 9090.3JBM2.200.090 | PUNZONE TC CON ESPULSORE / HEADED PUNCH WITH EJECTOR / SCHNEIDSTEMPEL MIT ABSTOSSER 20 90 | 1*OPTION |
| 010 | 9090.3JBM2.200.100 | PUNZONE TC CON ESPULSORE / HEADED PUNCH WITH EJECTOR / SCHNEIDSTEMPEL MIT ABSTOSSER 20 100 | 1*OPTION |
| 010 | 093J_M2.200.090 | PUNZONE TC CON ESPULSORE / HEADED PUNCH WITH EJECTOR / SCHNEIDSTEMPEL MIT ABSTOSSER 20 90 | 1*OPTION |
| 010 | 093J_M2.200.100 | PUNZONE TC CON ESPULSORE / HEADED PUNCH WITH EJECTOR / SCHNEIDSTEMPEL MIT ABSTOSSER 20 100 | 1*OPTION |
| 011 | 9000.0050.0019.001 | CILINDRO DI RITORNO / RETURN CYLINDER / RÜCK ZYLINDER | 1 |
| 012 | 9016.090.205.001 | PREMILAMIERA CORTO / SHORT BLANKHOLDER / KURZ BLECHHALTER 90MM | 1*CHOOSE |
| 012 | 9016.090.205.002 | PREMILAMIERA LUNGO / LONG BLANKHOLDER / LANG BLECHHALTER 90MM | 1*CHOOSE |
| 012 | 9016.100.205.001 | PREMILAMIERA CORTO / SHORT BLANKHOLDER / KURZ BLECHHALTER 100MM | 1*CHOOSE |
| 012 | 9016.100.205.002 | PREMILAMIERA LUNGO / LONG BLANKHOLDER / LANG BLECHHALTER 100MM | 1*CHOOSE |
| 012 | 8016.090.205.001 | PREMILAMIERA CORTO / SHORT BLANKHOLDER / KURZ BLECHHALTER 90MM | 1*OPTION |
| 012 | 8016.090.205.002 | PREMILAMIERA LUNGO / LONG BLANKHOLDER / LANG BLECHHALTER 90MM | 1*OPTION |
| 012 | 8016.100.205.001 | PREMILAMIERA CORTO / SHORT BLANKHOLDER / KURZ BLECHHALTER 100MM | 1*OPTION |
| 012 | 8016.100.205.002 | PREMILAMIERA LUNGO / LONG BLANKHOLDER / LANG BLECHHALTER 100MM | 1*OPTION |
| 013 | 8107.0143.1160.001 | KIT SENSORE DI SICUREZZA / SECURITY SENSOR KIT / KIT SENSOR FÜR SICHERHEIT | 1*OPTION |
| 014 | 9004.1220.001 | SEEGER / SEEGER / SEEGERRING | 2 |
| 015 | 9004.1250.001 | SEEGER / SEEGER / SEEGERRING | 2 |
| 016 | 9004.1220.001 | SEEGER / SEEGER / SEEGERRING | 2 |
| 017 | 9005.0120.0025.001 | CUSCINETTO / BEARING / LAGER | 2 |
| 018 | 9006.003 | INGRASSATORE / NIPPLE / SCHMIERUNG | 1 |
| 019 | 9004.2220.001 | SEEGER / SEEGER / SEEGERRING | 1 |
| 020 | 8006.0130.0218.065.001 | RONDELLA / WASHER / UNTERLEGSCHIBE | 1 |
| 022 | 9007.06.035.129.1.4762 | VITE / SCREW / SCHRAUBE M6X35 | 4 |
| 023 | 9028.060.020.8735 | SPINA CILINDRICA / DOWEL PIN / ZYLINDERSTIFT D6X20 | 2 |
| 025 | 9007.06.014.129.1.5933 | VITE / SCREW / SCHRAUBE M6X14 | 1 |
| 026 | 9004.2480.001 | SEEGER / SEEGER / SEEGERRING | 1 |

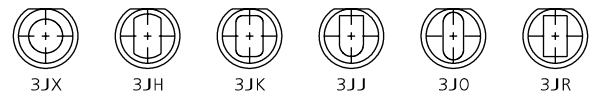
002 (8001) LEVA / LEVER / NOCKE



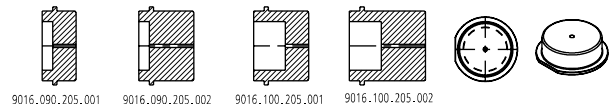
0010 (9090) PUNZONE SBOZZATO / BLANK PUNCH / ROHLING SCHNEIDSTEMPEL ISO8020



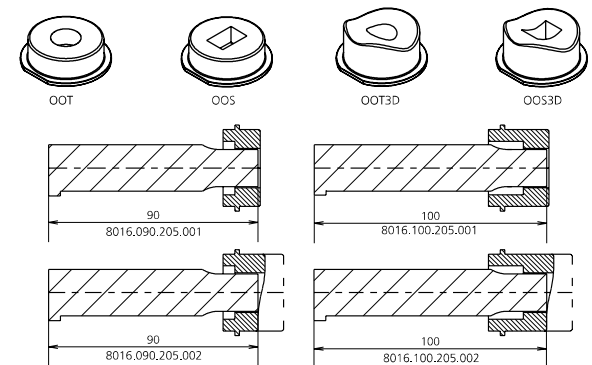
010 (093J_) PUNZONE SAGOMATO / SHAPED PUNCH / GEFORMT SCHNEIDSTEMPEL ISO8020



012 (9016) PREMILAMIERA SBOZZATO / BLANK-BLANKHOLDER / ROHLING BLECHHALTER



012 (8016) PREMILAMIERA SAGOMATO / SHAPED BLANKHOLDER / GEFORMT BLECHHALTER



013 (8107) SENSORE / SENSOR / SENSOR



13 PATENT PENDING