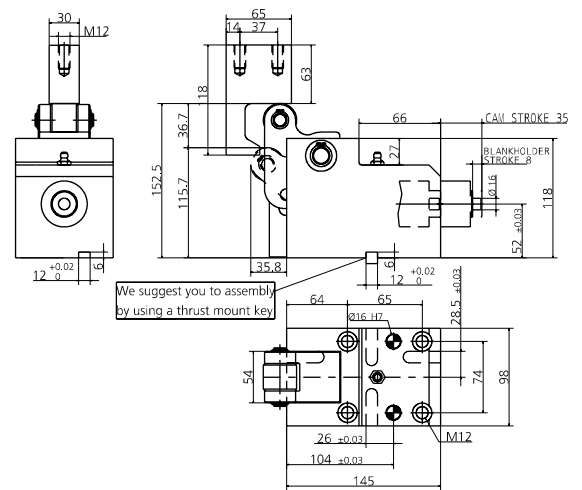
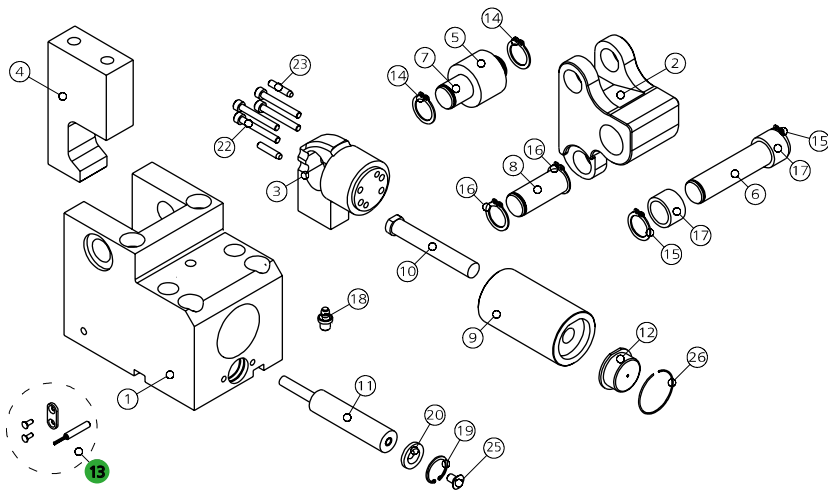


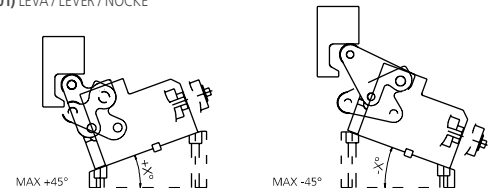
FORZA INIZIALE DI ESTRAZIONE / INITIAL EXTRACTION FORCE **695 daN**
 RÜCKZUGSKRAFT / FORCE INITIALE D'EXTRACTION
 FORZA FINALE DI ESTRAZIONE / FINAL FORCE OF EXTRACTION **1530 daN**
 ENDKRAFT DER EXTRACTION / FORCE FINALE D'EXTRACTION

SFORZO MAX TRANCIO **6000 daN**
 CUTTING MAX FORCE
 MAXIMALE SCHNITTKRAFT
 EFFORT MAXI DÉCOUPE

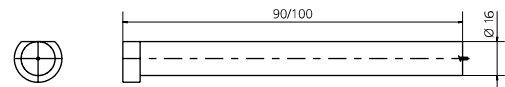


POS.	CODE	DESCRIPTION	Q.TY
001	8000.0043.0695	CORPO CAMMA / CAM BODY / GRUNDGEHÄUSE	1
002	8001.0043.0695.000	LEVA / LEVER / NOCKE 0	1
002	8001.0043.0695.615	LEVA / LEVER / NOCKE +0.01 +15	1*OPTION
002	8001.0043.0695.630	LEVA / LEVER / NOCKE +15.01 +30	1*OPTION
002	8001.0043.0695.645	LEVA / LEVER / NOCKE +30.01 +45	1*OPTION
002	8001.0043.0695.715	LEVA / LEVER / NOCKE -0.01 -15	1*OPTION
002	8001.0043.0695.730	LEVA / LEVER / NOCKE -15.01 -30	1*OPTION
002	8001.0043.0695.745	LEVA / LEVER / NOCKE -30.01 -45	1*OPTION
003	8002.0043.0695	FLANGIA / FLANGE / FLANSCH	1
004	8003.1180.0650.300.001	INCUDINE / ANVIL / DRUCKSTÜCK	1*OPTION
005	8004.0370.0280.200.001	ROTELLA / ROLLER / ROLLE	1
006	8005.0980.0910.200.001	PERNO / PIN / STIFT	1
007	8005.0610.0540.200.001	PERNO / PIN / STIFT	1
008	8005.0530.0460.200.001	PERNO / PIN / STIFT	1
009	9030.016.001	CILINDRO SPECIALE / SPECIAL CYLINDER / SPEZIALZYLINDER	1
010	9090.3JBM2.160.090	PUNZONE TC CON ESPULSORE / HEADED PUNCH WITH EJECTOR / SCHNEIDSTEMPEL MIT ABSTOSSER 16 90	1*OPTION
010	9090.3JBM2.160.100	PUNZONE TC CON ESPULSORE / HEADED PUNCH WITH EJECTOR / SCHNEIDSTEMPEL MIT ABSTOSSER 16 100	1*OPTION
010	093J_M2.160.090	PUNZONE TC CON ESPULSORE / HEADED PUNCH WITH EJECTOR / SCHNEIDSTEMPEL MIT ABSTOSSER 16 90	1*OPTION
010	093J_M2.160.100	PUNZONE TC CON ESPULSORE / HEADED PUNCH WITH EJECTOR / SCHNEIDSTEMPEL MIT ABSTOSSER 16 100	1*OPTION
011	9000.0038.0019.001	CILINDRO DI RITORNO / RETURN CYLINDER / RÜCK ZYLINDER	1
012	9016.090.136.001	PREMILAMIERA CORTO / SHORT BLANKHOLDER / KURZ BLECHHALTER 90MM	1*CHOOSE
012	9016.090.136.002	PREMILAMIERA LUNGO / LONG BLANKHOLDER / LANG BLECHHALTER 90MM	1*CHOOSE
012	9016.100.136.001	PREMILAMIERA CORTO / SHORT BLANKHOLDER / KURZ BLECHHALTER 100MM	1*CHOOSE
012	9016.100.136.002	PREMILAMIERA LUNGO / LONG BLANKHOLDER / LANG BLECHHALTER 100MM	1*CHOOSE
012	8016.090.136.001	PREMILAMIERA CORTO / SHORT BLANKHOLDER / KURZ BLECHHALTER 90MM	1*OPTION
012	8016.090.136.002	PREMILAMIERA LUNGO / LONG BLANKHOLDER / LANG BLECHHALTER 90MM	1*OPTION
012	8016.100.136.001	PREMILAMIERA CORTO / SHORT BLANKHOLDER / KURZ BLECHHALTER 100MM	1*OPTION
012	8016.100.136.002	PREMILAMIERA LUNGO / LONG BLANKHOLDER / LANG BLECHHALTER 100MM	1*OPTION
013	8107.0143.6956.001	KIT SENSORE DI SICUREZZA / SECURITY SENSOR KIT / KIT SENSOR FÜR SICHERHEIT	1*OPTION
014	9004.1200.001	SEEGER / SEEGER / SEEGERRING	2
015	9004.1200.001	SEEGER / SEEGER / SEEGERRING	2
016	9004.1200.001	SEEGER / SEEGER / SEEGERRING	2
017	9005.0116.0020.001	CUSCINETTO / BEARING / LAGER	2
018	9006.003	INGRASSATORE / NIPPLE / SCHMIERUNG	1
019	9004.2220.001	SEEGER / SEEGER / SEEGERRING	1
020	8006.0130.0218.065.001	RONDELLA / WASHER / UNTERLEGSCHIBE	1
022	9007.05.035.129.1.4762	VITE / SCREW / SCHRAUBE M5X35	4
023	9028.050.016.8735	SPINA CILINDRICA / DOWEL PIN / ZYLINDERSTIFT D5X16	2
025	9007.06.014.129.1.5933	VITE / SCREW / SCHRAUBE M6X14	1
026	9004.2350.001	SEEGER / SEEGER / SEEGERRING	1

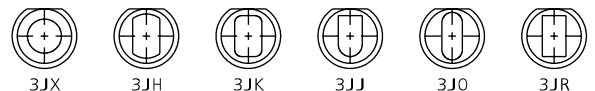
002 (8001) LEVA / LEVER / NOCKE



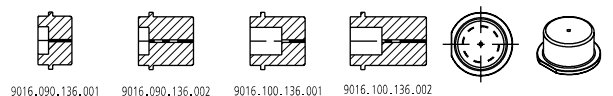
010 (9090) PUNZONE SBOZZATO / BLANK PUNCH / ROHLING SCHNEIDSTEMPEL ISO8020



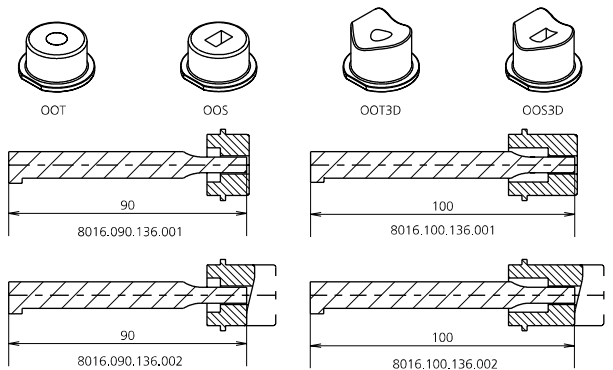
010 (093J_) PUNZONE SAGOMATO / SHAPED PUNCH / GEFORMT SCHNEIDSTEMPEL ISO8020



012 (9016) PREMILAMIERA SBOZZATO / BLANK-BLANKHOLDER / ROHLING BLECHHALTER



012 (8016) PREMILAMIERA SAGOMATO / SHAPED BLANKHOLDER / GEFORMT BLECHHALTER



013 (8107) SENSORE / SENSOR / SENSOR



16 PATENT PENDING

MODELLO D'ORDINE / ORDER EXAMPLE / BESTELLBEISPIEL / MODÈLE DE COMMANDE

MODEL **0143.6956** INCLINATION **+10°** BLANKHOLDER **9016/8016.** OPTION CODE **8001.0043.0695.615**